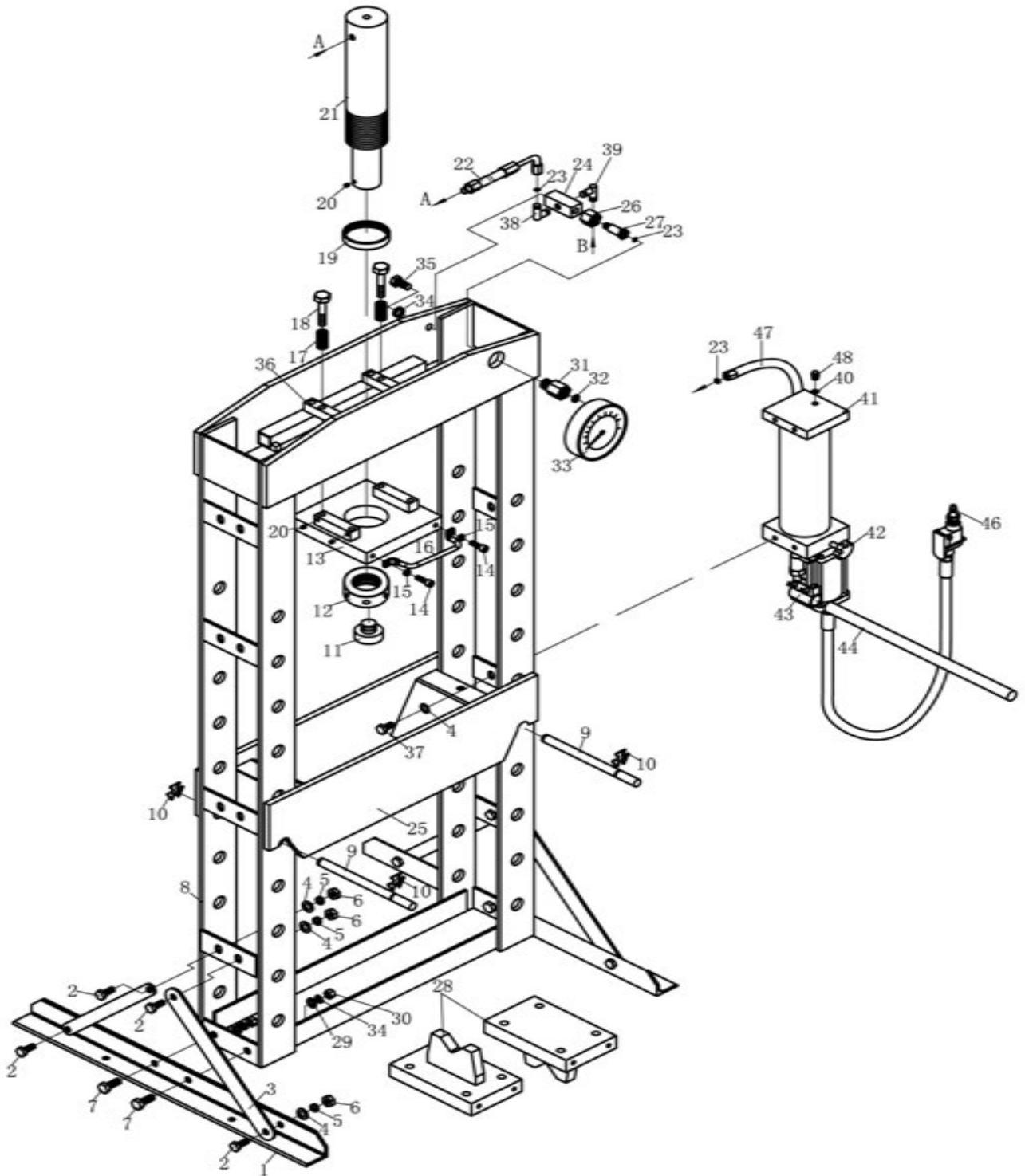


# STRONGARM™

## 20 TON SUPER HEAVY DUTY SHOP PRESS MODEL SP20TSHD # 032181





## 20 TON SUPER HEAVY DUTY SHOP PRESS MODEL SP20TSHD # 032181

REF	PART NUMBER	DESCRIPTION	REQ	REF	PART NUMBER	DESCRIPTION	REQ
1	PCN-SP20TSHD-1	BASE SECTION	2	25	PCN-SP20TSHD-25	BED FRAME	1
2	PCN-SP20TSHD-HK	BOLT M10*25	8	26	PCN-SP20TSHD-26	NUT	1
3	PCN-SP20TSHD-3	SUPPORT	4	27	PCN-SP20TSHD-27	BANJO FIXING	1
4	PCN-SP20TSHD-HK	WASHER Ø10	12	28	PCN-SP20TSHD-28	HEEL BLOCK	2
5	PCN-SP20TSHD-HK	LOCK WASHER Ø10	8	29	PCN-SP20TSHD-29	WASHER Ø12	4
6	PCN-SP20TSHD-HK	NUT M10	8	30	PCN-SP20TSHD-30	NUT M12	4
7	PCN-SP20TSHD-HK	BOLT M12*30	4	31	PCN-SP20TSHD-31	GAUGE FITTING	1
8	PCN-SP20TSHD-8	BASE	1	32	PCN-SP20TSHD-32	NYLON RING	1
9	PCN-SP20TSHD-9	BED FRAME PIN	2	33	PCN-SP20TSHD-33	PRESSURE GAUGE	1
10	PCN-SP20TSHD-10	CIRCLIP	4	34	PCN-SP20TSHD-34	LOCK WASHER Ø12	5
11	PCN-SP20TSHD-11	SERRATED SADDLE	1	35	PCN-SP20TSHD-35	BOLT M12*25	1
12	PCN-SP20TSHD-12	UNDER ROUND NUT	1	36	PCN-SP20TSHD-36	LIND ROD	2
13	PCN-SP20TSHD-13	UNDER PLATE	1	37	PCN-SP20TSHD-HK	BOLT M10*25	4
14	PCN-SP20TSHD-14	SCREW	2	38	PCN-SP20TSHD-38	BANJO FIXING	1
15	PCN-SP20TSHD-15	LOCK WASHER	2	39	PCN-SP20TSHD-39	BANJO FIXING	1
16	PCN-SP20TSHD-16	HAND LEVER	1	40	PCN-SP20TSHD-40	NYLON RING	1
17	PCN-SP20TSHD-17	SPRING	4	41	PCN-SP20TSHD-41	PUMP ASSY	1
18	PCN-SP20TSHD-18	BOLT	4	42	PCN-SP20TSHD-42	RELEASE VALVE	1
19	PCN-SP20TSHD-19	UPPER ROUND RUT	1	43	PCN-SP20TSHD-43	HANDLE SOCKET	1
20	PCN-SP20TSHD-20	SCREW	5	44	PCN-SP20TSHD-44	HANDLE	1
21	PCN-SP20TSHD-21	RAM	1	45	PCN-SP20TSHD-45	BOLT	1
22	PCN-SP20TSHD-22	OIL HOSE	1	46	PCN-SP20TSHD-46	QUICK COUPLER- MALE	1
23	PCN-SP20TSHD-23	O-RING	3	47	PCN-SP20TSHD-47	OIL HOSE	1
24	PCN-SP20TSHD-24	BANJO FIXING	1	48	PCN-SP20TSHD-48	OIL FILLER NUT	1